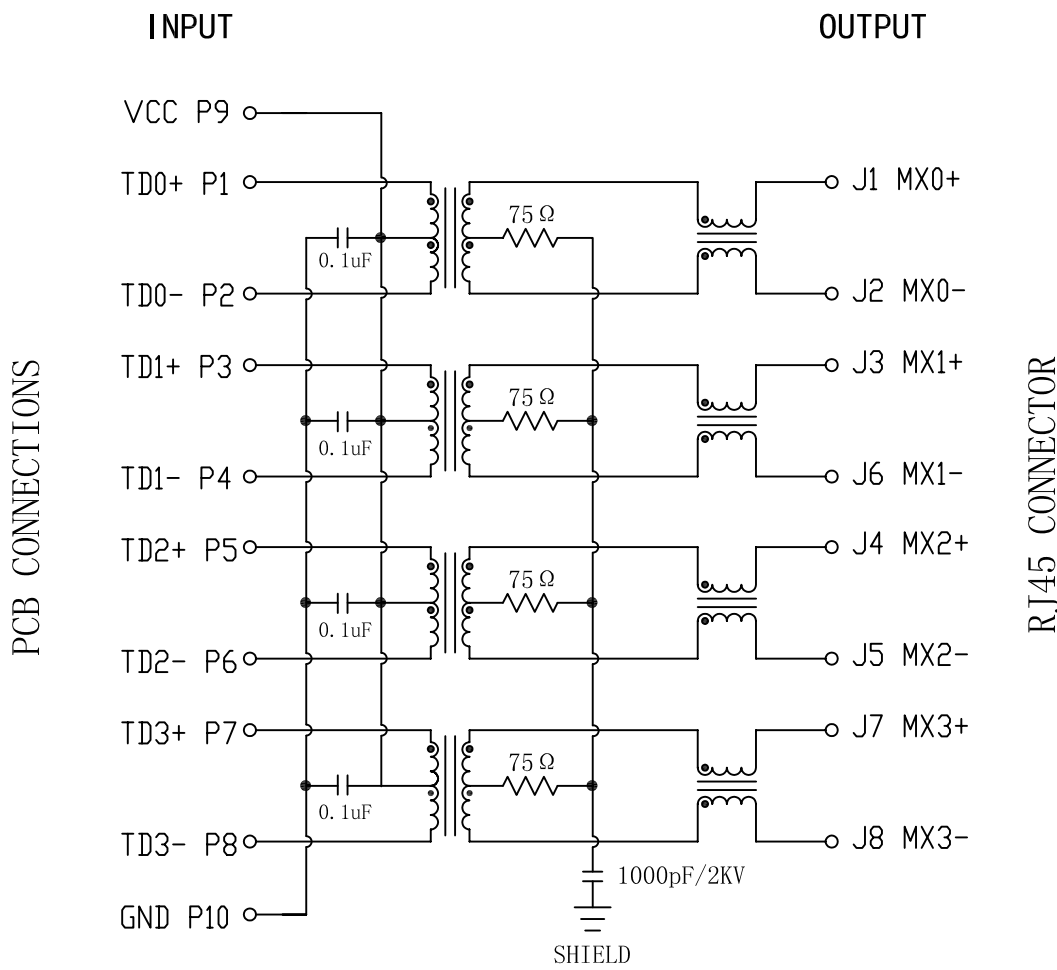


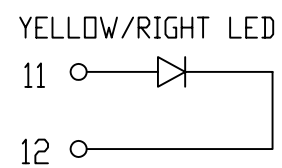
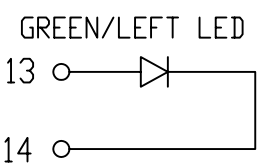
Schematic:

REV.	ECN NO.	DESCRIPTION	DATE	APPD
A	REL		2011/11/25	



Electrical Specifications @25°C

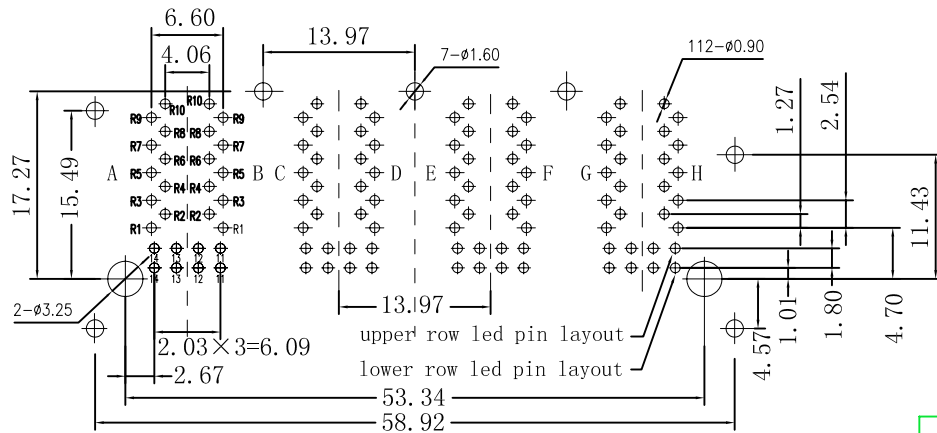
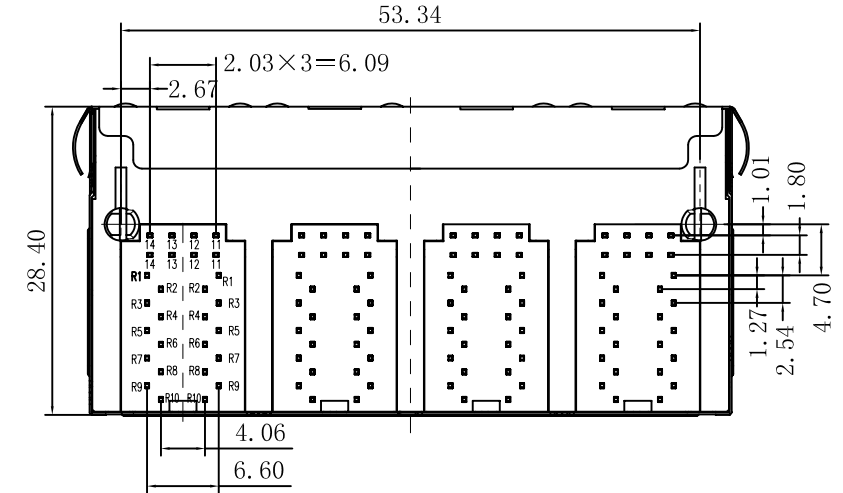
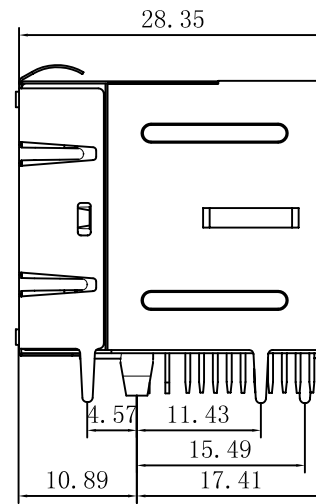
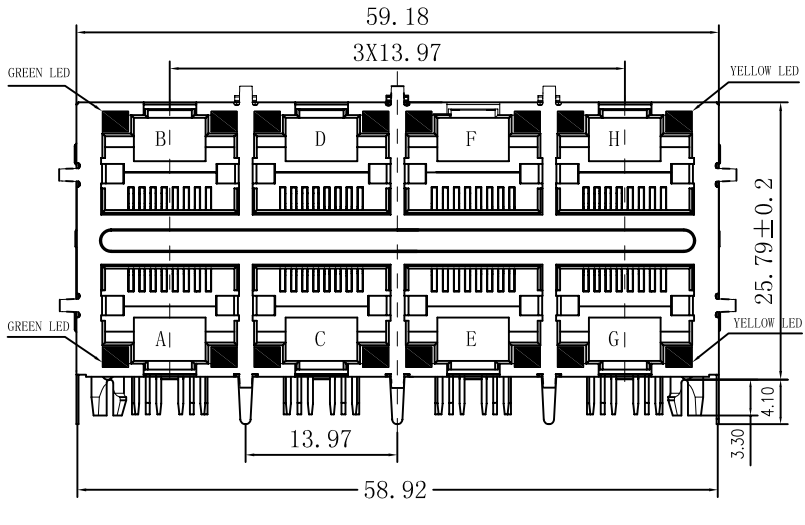
- Turns Ratio:
PRI:SEC = 1CT:1CT ±2%
- OCL:
350uH MIN @ 100KHz, 100mV, 8mADC
- Insertion Loss:
1~100MHz:-1.0dB MAX
- Return Loss(dB MIN):
1~30MHz:-18 30~60MHz:-14
60~80MHz:-12
- Crosstalk(dB TYP):
1~30MHz:-40 30~60MHz:-35
60~80MHz:-30
- Differential to Common Mode Rejection:
1~50MHz: -30dB TYP
50~150MHz: -20dB TYP
- CMRR: 1~100MHz:-30dB MIN
- Isolation: 1500Vrms MIN
- Operating Temperature Range: -40°C~+85°C.



X:X	±0.20	APPD:	LINK-PP INT'L TECHNOLOGY CO., LIMITED
X:XX	±0.10	CHKD:	
X:XXX	±0.05	DR: TOM	Title: RJ45 .Transformer. 1000 Base-T . 2x4
ANGLES	±1°	UNIT: mm	PART NO.: LPJG47561AENL
	SCALE: 2/1	SHEET: 1/2	REV: A DWG NO.: LP11112501

Mechanical :

REV.	ECN NO.	DESCRIPTION	DATE	APPD
A	REL		2011/11/25	



SUGGESTED PCB LAYOUT (TOP VIEW)

NOTES:

1. Designed to support application, such as SOHO (ADSL modems), LAN-on-Motherboard (LOM), hub and Switches.
2. Meets IEEE 802.3 specification
3. Connector Materials:
 Housing: Thermoplastic UL94V-0
 Contact/Shield: Copper alloy
 Shield plating: Nickel
 Contact plating: Gold 6 micro-inches min. In contact area.
4. Wave solder tip temperature: 265°C Max
 Wave solder tip temperature time: 5 Sec Max



X:X	±0.20	APPD:	LINK-PP INT'L TECHNOLOGY CO., LIMITED
X:XX	±0.10	CHKD:	
X:XXX	±0.05	DR: TOM	Title: RJ45 .Transformer. 1000 Base-T . 2x4
ANGLES	±1°	UNIT: mm	PART NO. : LPJG47561AENL
	SCALE: 2/1	SHEET: 2/2	REV: A DWG NO. : LP11112501